

# TRANSFER MODULE

## SH 1400

Straight  
Powered

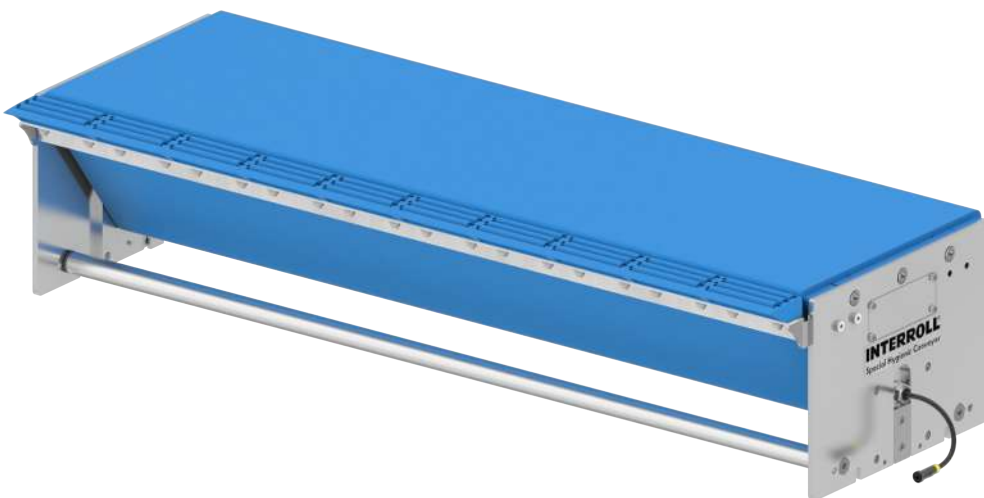
24V

400V

### Product description

The transfer module driven with 24 V DC is a multi-flexible interface to connect the SHC platform with a third conveyor.

The transfer module reduces the gap between two conveyors. This is especially required if small, packaged food items should be transferred from or to a conveyor. Packaged goods up to a size of 100 x 100 mm can be transferred in an easy way.



# TRANSFER MODULE SH 1400

Straight  
Powered

## Technical data

General technical data	
Max. load capacity	35 kg/m (greater loads upon request)
Conveyor speed	0.1 to 0.8 m/s
Incline/decline	Not suitable
Ambient temperature	-5 to +40 °C
Drive	
Rated voltage	24 V
Electrical power	35 W
Motor type	RollerDrive EC5000
Protection rating	IP 66
Torque transmission	Via sprockets
Materials	
Modular belt	Movex 510FT
Slider bed	Slider rails made of polymer
Stainless steel parts	Stainless steel AISI 304
Control	MultiControl Bus Interface (IPX5 housing)

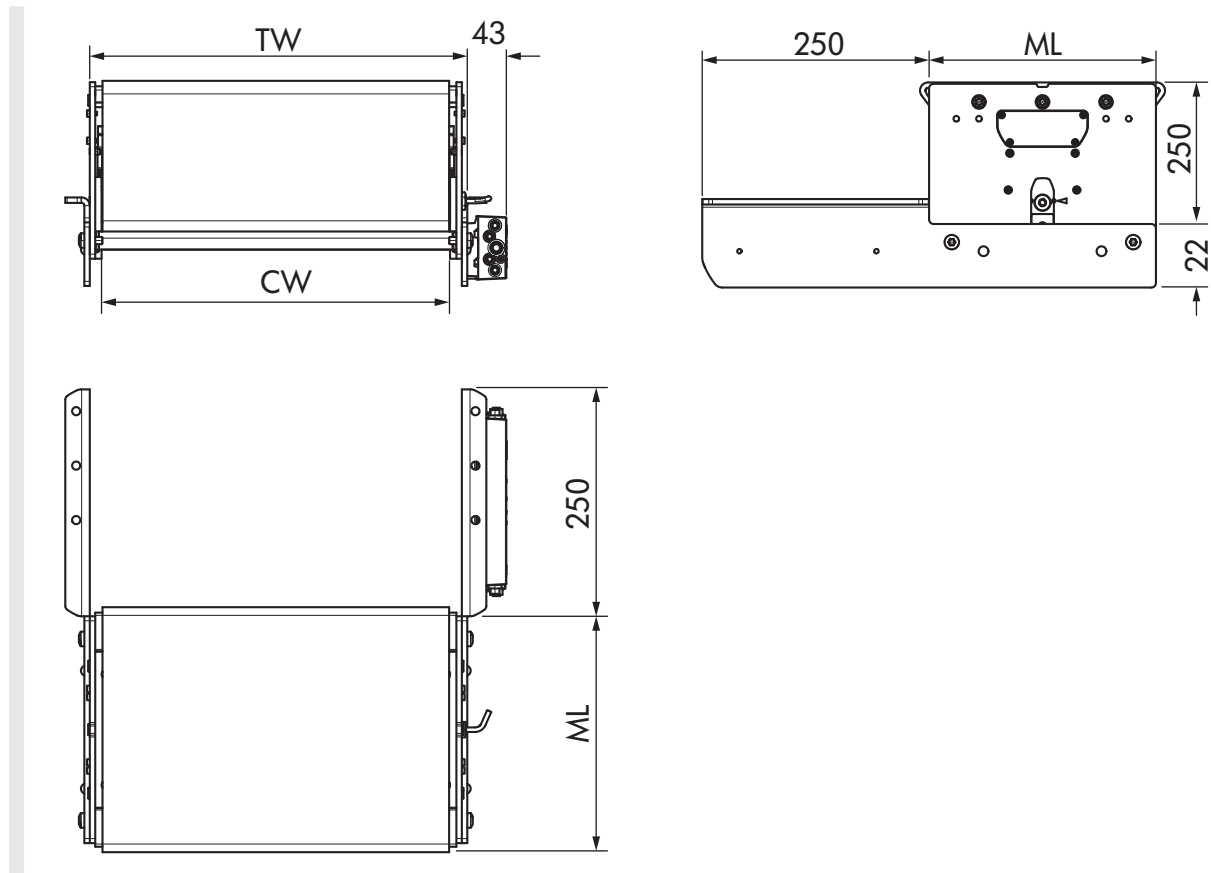
# TRANSFER MODULE SH 1400

Straight  
Powered

24V

400V

## Dimensions



BF	Rated width	398 mm (S), 703 mm (M), 855 mm (L)
CW	Module conveying width	< 398 mm (S), < 703 mm (M), < 855 mm (L)
	Size of conveying goods	Min. 100 x 100 mm; max. 700 x 800 mm
ML	Module length	310 mm
TW	Module width	410 mm (S), 715 mm (M), 867 mm (L)