

# MODULAR BELT CONVEYOR SH 1100 CD

Straight  
Center drive

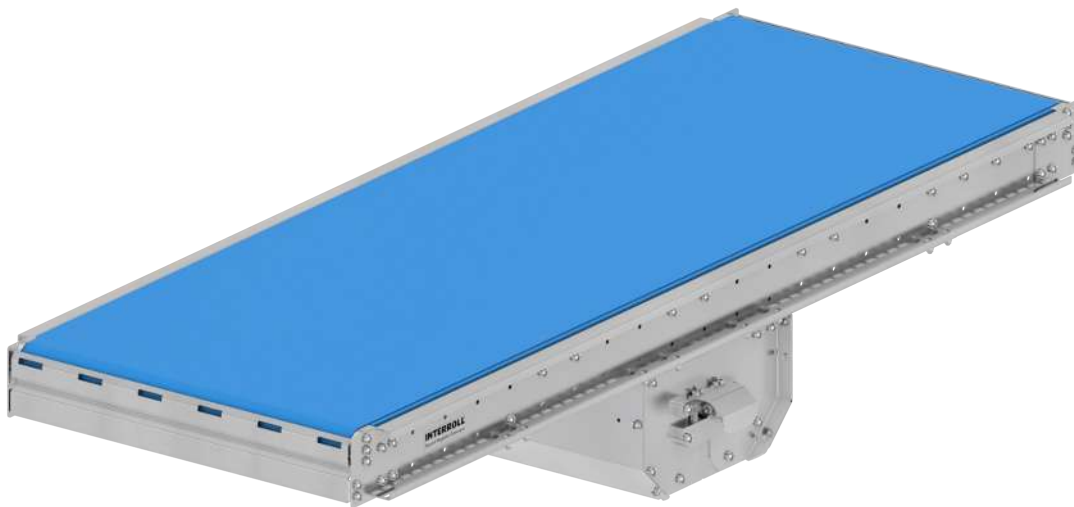
24V

400V

## Product description

The modular belt conveyor is used for the transport of packaged small items or goods transported in small boxes that are not suitable for roller tracks, and for all types of goods on inclines and declines.

The modular belt conveyor with center drive can be equipped with any drum motor between DM0080 and DM0165, which allows for a power range of 550 W to 1818 W.



# MODULAR BELT CONVEYOR SH 1100 CD

Straight  
Center drive

## Technical data

General technical data	
Max. load capacity	35 kg/m (greater loads upon request)
Conveyor speed	0.1 to 0.8 m/s
Incline/decline	-6 to -18°; +6 to +18°, in increments of 3°
Ambient temperature	-5 to +40 °C
Drive	
Rated voltage	400 V 50 Hz 460 V 60 Hz 230 V upon request
Electrical power	Max. 1818 W
Motor type	Synchronous/asynchronous drum motor DM 0080, DM 0113, DM 0138, DM 0165
Protection rating	Drum motor: IP 69K Frequency inverter: central (IP 20) or decentral (IP 66)
Torque transmission	Via sprockets
Materials	
Modular belt	Ammeraal M-QNB-C
Slider bed	Slider rails made of polymer
Stainless steel parts	Stainless steel AISI 304
Frequency inverter	Standard: FC1000 Interroll/Getriebebau Nord

Roller conveyor

Transfer module

Diverter

Modular belt conveyor

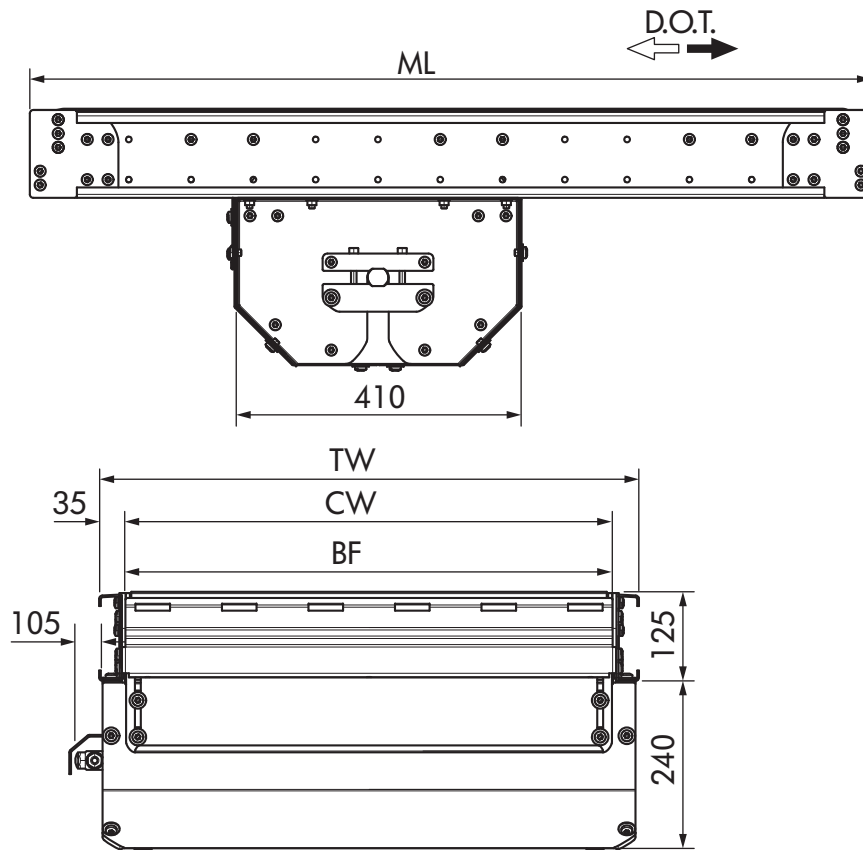
# MODULAR BELT CONVEYOR SH 1100 CD

Straight  
Center drive

24V

400V

## Dimensions



BF	Rated width	405 mm (S), 710 mm (M), 862 mm (L)
CW	Module conveying width	< 405 mm (S), < 710 mm (M), < 862 mm (L)
	Size of conveying goods	Min. 100 x 100 mm; max. 700 x 800 mm
ML	Module length	Min. 1173 mm to 9993 mm in 30-mm increments
TW	Module width	BF + 70 mm