

# ROLLER CONVEYORS

## RM 8230

Merge  
Powered



24V

48V

400V

### Product description

The merge is used for connecting lateral roller tracks at an angle (30° or 45°) to the main track. This can be used for moving material off the track (e.g. with HPD (High Performance Divert)) or onto the track.

### Scope of delivery

- Supply incl. 1 sensor
- Supply without bus (communication) cable
- Module is completely assembled, except for the flat belt
- Please order supports and end caps separately



# ROLLER CONVEYORS

## RM 8230

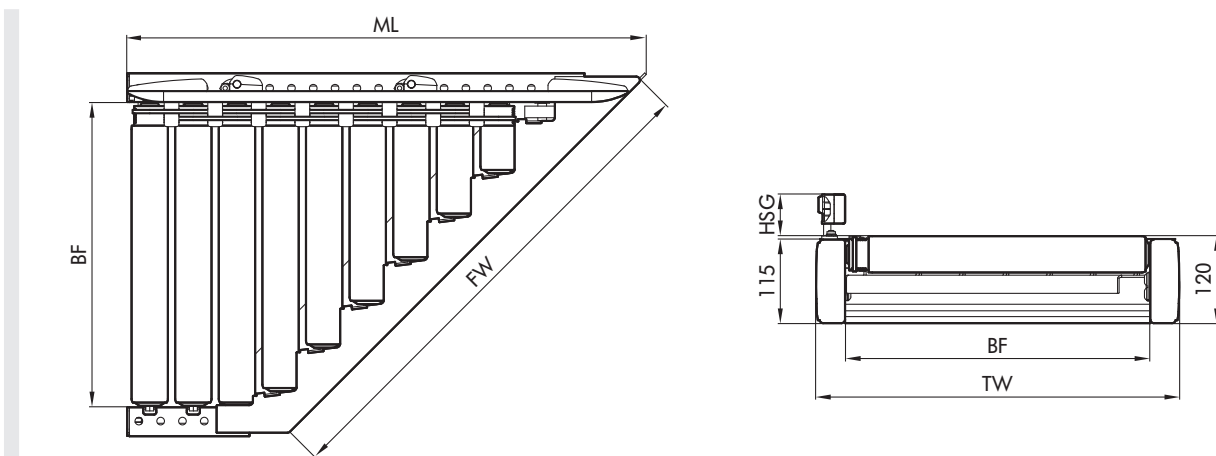
Merge  
Powered

### Technical data

General technical data	
Max. load capacity*	50 kg/m
Conveyor speed*	0.1 to 2.0 m/s
Incline/decline	Not suitable
Ambient temperature	+5 to +40 °C
Roller	
Roller type	Interroll Series 1700 and Interroll Series 3500
Roller diameter	50 mm
Roller material	Steel 1.5 mm, zinc-plated

\*The combination of maximum values is not always possible.

### Dimensions



BF	Rated width	420, 620, 840 mm (others on request)
LW	Lane width	BF (+120/-90 mm per side with flexible side guide)
ML	Module length	See application notes page 122
TW	Module width	BF + 80 mm
FW	Opening width	See application notes page 122
$\alpha$	Angle	30°/45°
P	Roller pitch	60 mm
HSG	Side guide height	35 – 65 mm