

ROLLER CONVEYORS

RM 8220

Curve

Powered



24V

48V

400V

Product description

The roller conveyor curves change the direction of transport of the material. The alignment of the material is maintained within the side frames by tapered rollers. The flat belt-driven curve is driven either by an adjacent straight module or by a separate head drive. Accumulation mode is not possible in powered 400/460-V curves.

Scope of delivery

- Supply incl. 1 sensor
- Module is completely assembled, except for the flat belt
- Please order supports and end caps separately



ROLLER CONVEYORS

RM 8220

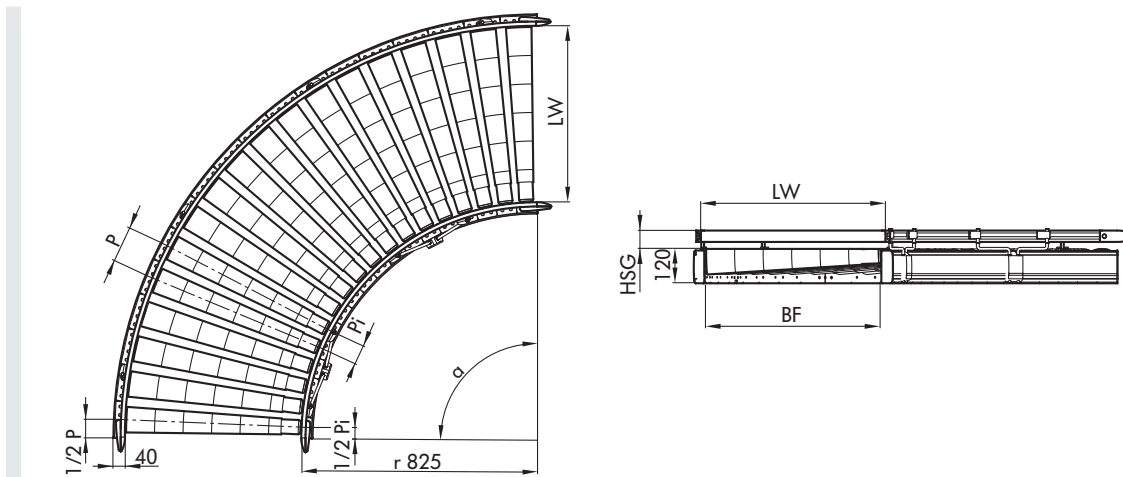
Curve
Powered

Technical data

General technical data	
Max. load capacity*	50 kg/m
Conveyor speed*	0.1 to 2.0 m/s
Incline/decline	Not suitable
Ambient temperature	+5 to +40 °C
Roller	
Roller type	Interroll Series 1700
Roller diameter	50 mm
Roller material	Steel 1.5 mm, zinc-plated
Max. number of rollers per zone	6 for 30°, 9 for 45°, 12 for 60°, 18 for 90°

*The combination of maximum values is not always possible.

Dimensions



BF	Rated width	420, 620, 840 mm (others on request)
LW	Clear width	BF (+120/-90 mm per side with flexible side guide)
α	Bracket	30°/45°/60°/90°
TW	Module width	BF + 80 mm
Pi	Roller pitch, inside	~72 mm
P	Roller pitch, outside	~(0.087 x BF) + Pi mm
HSG	Side guide height	35 – 65 mm