

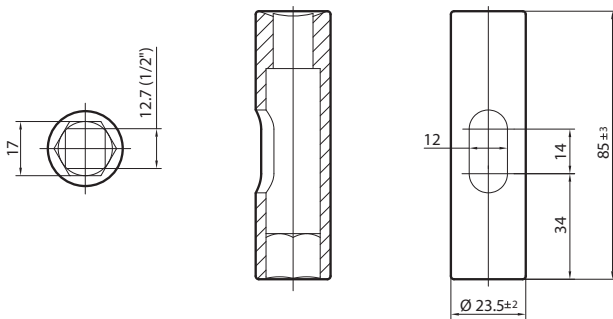
Fastening socket



The fastening socket is used for tightening according to the torque of the RollerDrive fastening nut using a torque wrench. The socket features a lateral opening through which the RollerDrive connecting cable can be fed to the outside.

Article number: S-1101248

Dimensions



Note: Measurements in mm.