

INTERROLL DRUM MOTOR 80C

Compact premium drive for supermarkets

Product Description

Because of its strength, reliability and zero maintenance, this drum motor is perfect for supermarket applications.

- ✓ Small light-duty conveyors
- ✓ Bottle recycling
- ✓ 1-phase AC induction motor
- ✓ Single-rated voltage
- ✓ Integral motor protection
- ✓ Techno-polymer planetary gearbox
- ✓ Low noise
- ✓ Supermarket checkout conveyors
- ✓ Lightweight
- ✓ Maintenance-free
- ✓ Lifetime lubricated
- ✓ Reversible

Technical Data

Motor data	
Motor type	Asynchronous squirrel cage motor, IEC 34 (VDE 0530)
Insulation class of motor windings	Class B, IEC 34 (VDE 0530)
Voltage	230 V 50 Hz (IEC 38) 115 V 60 Hz (on request)
Frequency	50 Hz
Internal shaft sealing system	Double-lipped, NBR
Protection rating	IP64
Thermal protection	Bi-metal switch
Ambient temperature, 1-phase motor	+10 to +40 °C
Dimensions	
Shell length SL	280 to 602 mm

Order Information

Please refer to fold-out page at the end of the catalogue.

Material Versions

You can choose the following versions of drum body components and electrical connections. The versions depend on the material of the components.

Component	Version	Material	
		Aluminium	Mild steel
Shell	Crowned		✓
	Cylindrical		✓
End housing	Standard	✓	
Shaft cap	Standard	✓	
Electrical connector	Plug solutions Straight/90°	✓	
	Plug solutions 90° protected	✓	

Please contact your Interroll customer consultant for further versions.

Accessories

- Anti-vibration brackets, see p 44
- Idler pulleys, see p 46
- Conveyor rollers, see p 48

Product Range

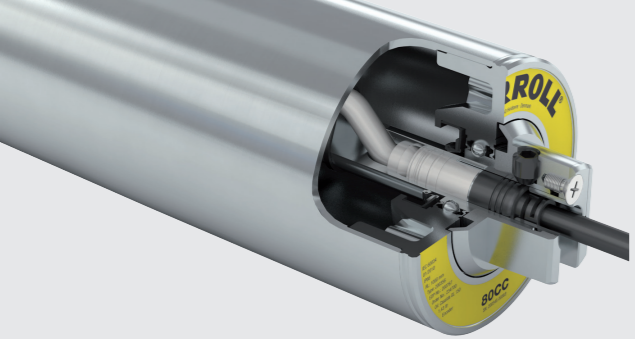
The following tables give an overview of the possible motor versions. Choosing versions without exclamation mark will ensure the lowest cost and fastest delivery. When ordering, please specify the version in accordance with the configurator on the fold-out page.

Mechanical data for 1-phase motors

P _N kW	np	gs	i	v m/s	n _A min ⁻¹	M _A Nm	F _N N	TE N	Min. start weight Kg	SL _{min} mm
0.050	2	3	71.56	0.16	38.4	10.4	256	2,000	71	260
			63.51	0.18	43.3	9.3	227	2,000	63	260
0.075	2	3	71.56	0.16	38.4	16.0	391	2,000	106	270
			63.51	0.18	43.3	14.2	347	2,000	94	270
0.085	2	3	71.56	0.16	38.4	18.4	452	2,000	120	285
			63.51	0.18	43.3	16.3	401	2,000	107	285

P _N	Rated power
np	Number of poles
gs	Gear stages
i	Gear ratio
v	Rated velocity of the shell
n _A	Rated revolutions of the shell
M _A	Rated torque of drum motor
F _N	Rated belt pull of drum motor
TE	Max. belt tension
SL _{min}	Min. shell length

Motor versions



INTERROLL DRUM MOTOR 80C



Drum Motors
80C

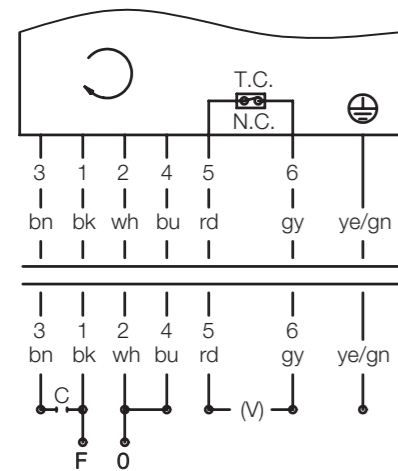
Compact premium drive for supermarkets

Cable Specifications

Interroll plug solution includes a strain relief piece. Please order the separately available plug cable to enjoy the advantages of plug and play technology and the flexible preinstallation of your drum motor.

- 7 x 0.5 mm²
- Wirepins for proper installation
- Ø Cable: 7 mm
- Length: 1.5 / 2 / 3 / 5 m (Other lengths available on request)
- Available with common connectors

Connection Diagrams



Note: When drum motor is without thermal controller (5) and (6) is blind.

Note: For CCW rotation interchange brown (3) and blue (4).

Dimensions

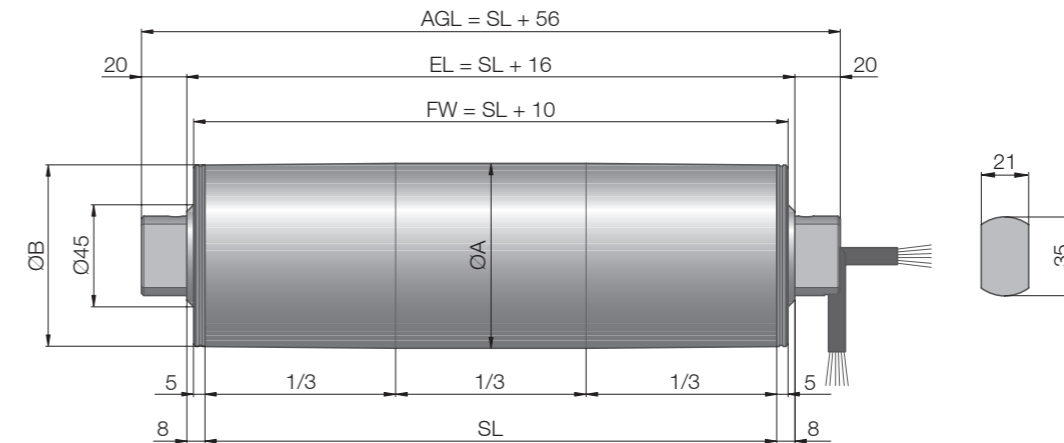


Fig.: Drum motor with straight connector

Type	Ø A mm	Ø B mm
80C crowned shell	81.5	80.0
80C cylindrical shell	80.5	80.5

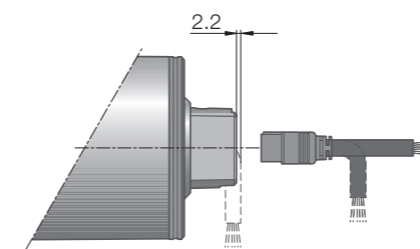


Fig.: Plug

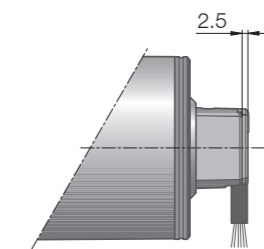


Fig.: Plug 90° with cable protection

The drum motor's weight depends on its length.

Shell length SL in mm	280	Weight increases by 0.4 kg in 50 mm increments	602
Average weight in kg	5		7.5

Standard
dimensions

Connector
dimensions

Length and
weight